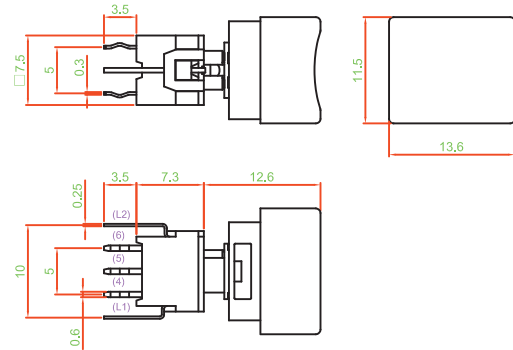




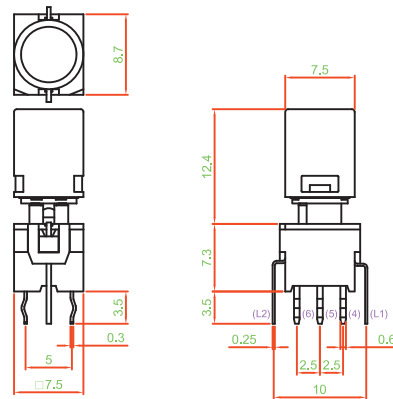


► DIMENSION

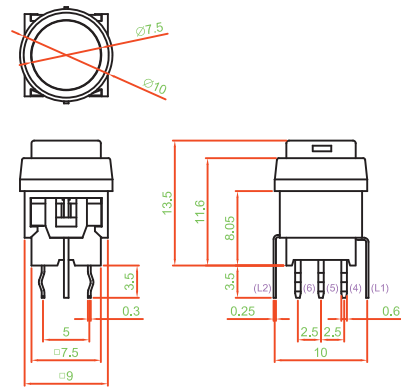
PS004-L22NPS3XT□□□□



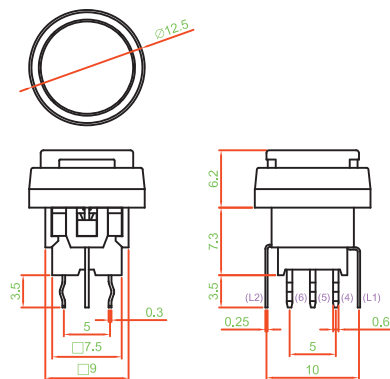
PS004-L22NPR1AXT□□□□



PS004-L22NPR1KT□□□□



PS004-N22NPR2KT□□□□

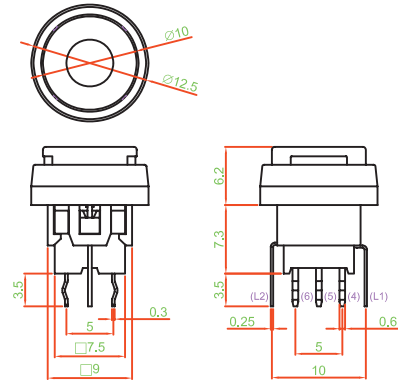


# PS004 SERIES

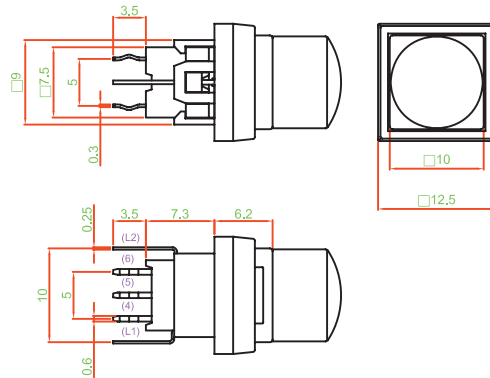
## LED PUSH BUTTON SWITCH

### ► DIMENSION

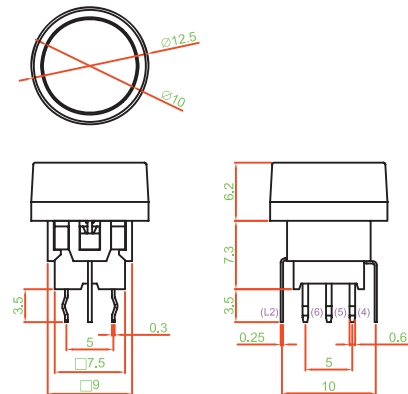
PS004-N22NPR2HKK□□□□



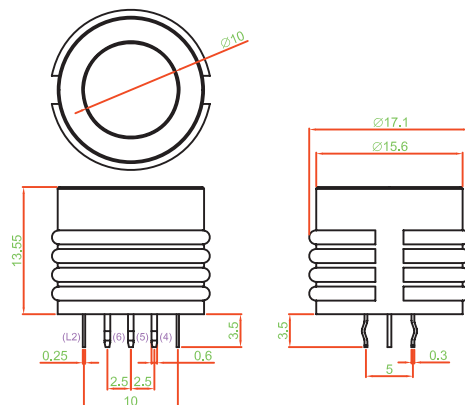
PS004-N22NPR3KT□□□□



PS004-L22NPR2ABT□□□□

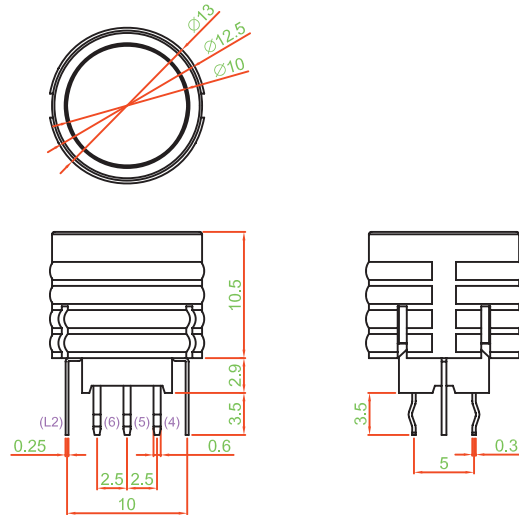


PS004-L22NPR2CBT□□□□

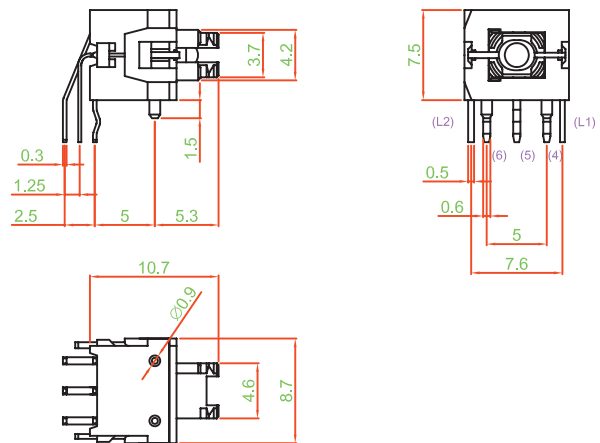
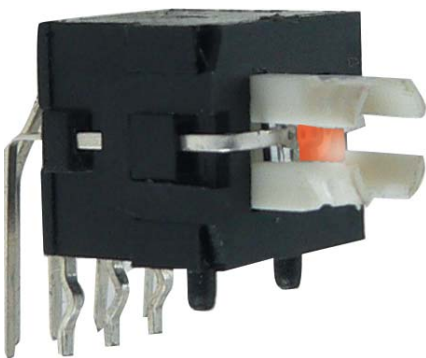


► DIMENSION

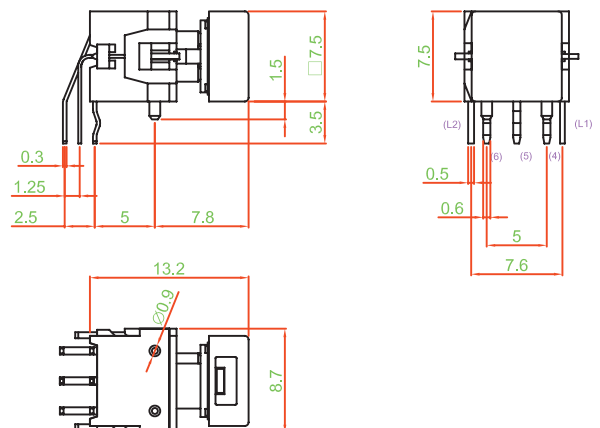
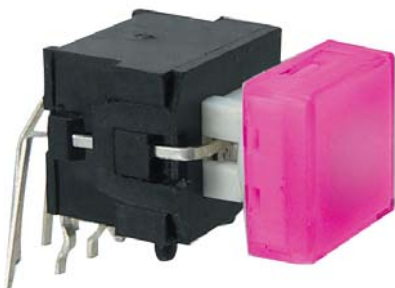
PS004-L22NPR2DBT □□□□



PS004-N22NRXXX □□□□



PS004-N22NRS1XT □□□□

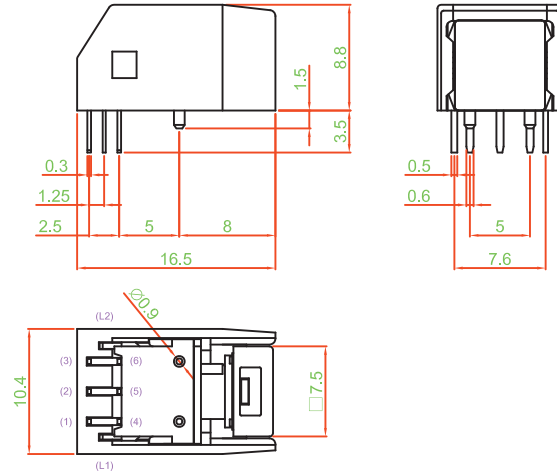


# PS004 SERIES

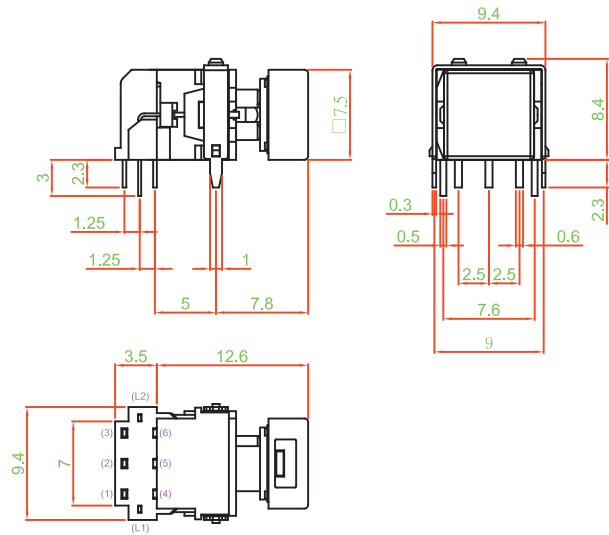
## LED PUSH BUTTON SWITCH

### ► DIMENSION

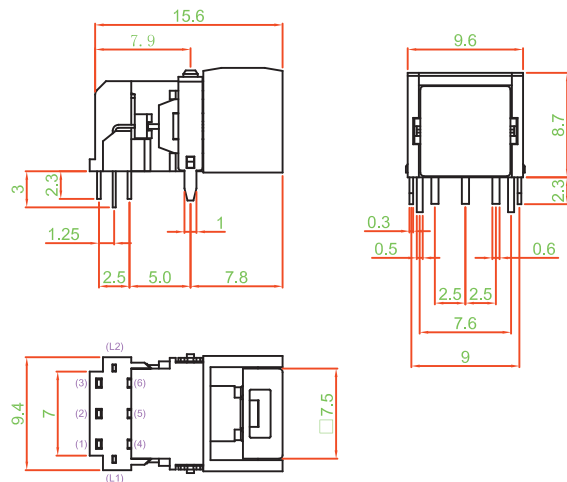
PS004-N22NRS1KT□□□□



PS004-N22NR1S1XT□□□□

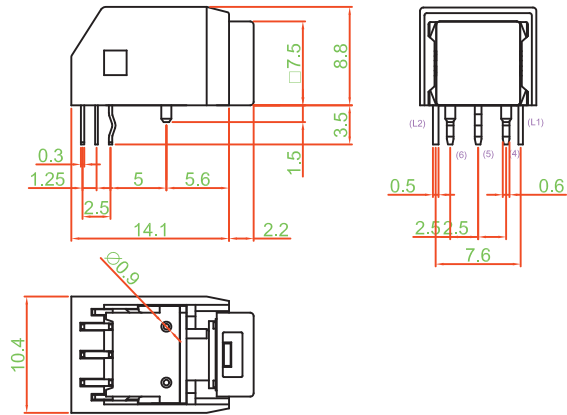


PS004-N22NR2S1KT□□□□

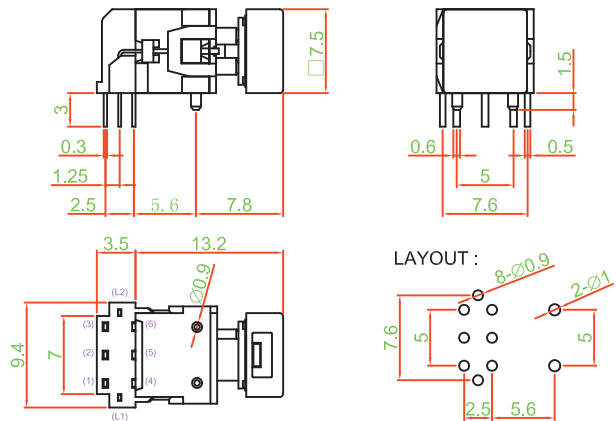
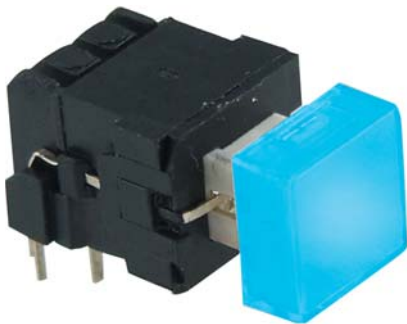


► DIMENSION

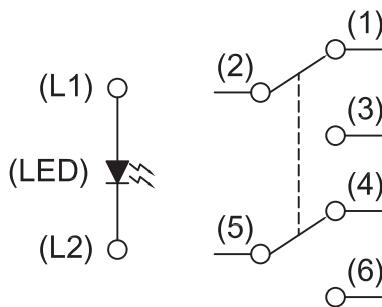
PS004-N22NR3S1KT□□□□



PS004-N22NR4S1XT□□□□

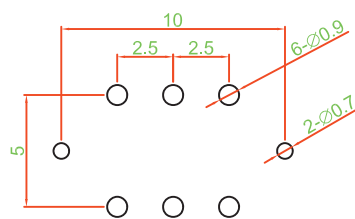


► CIRCUIT DIAGRAM

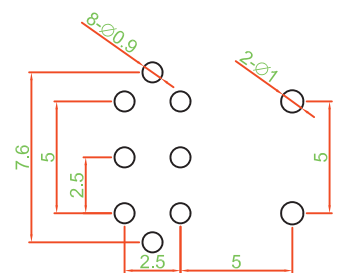


► P.C.B. LAYOUT

STANDARD TYPE



RIGHT ANGLE TYPE



► MATERIAL

- FRAME : PA + GF
- ACTUATOR : PA + GF
- BASE : PA + GF
- TERMINAL : BRASS ; SILVER PLATING
- SPRING : STAINLESS STEEL

► UNIT WEIGHT

- PS004-L22NPXXX□□□□ : 0.65 ± 0.05 g / pc
- PS004-L22NPS1□□□□□□ : 1.15 ± 0.05 g / pc
- PS004-L22NPR1□□□□□□ : 1.15 ± 0.05 g / pc
- PS004-L22NRXXX□□□□ : 0.65 ± 0.05 g / pc

